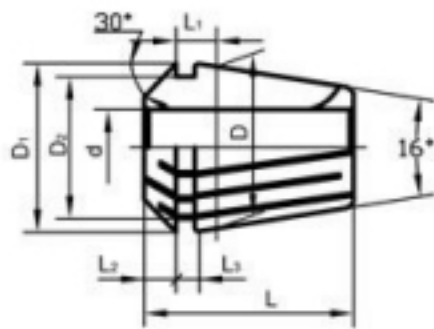
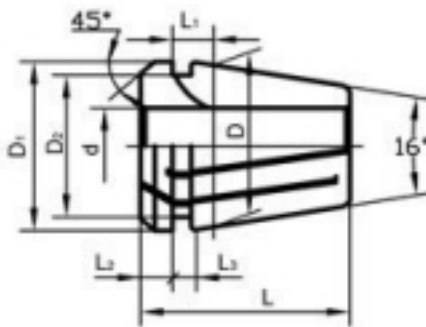


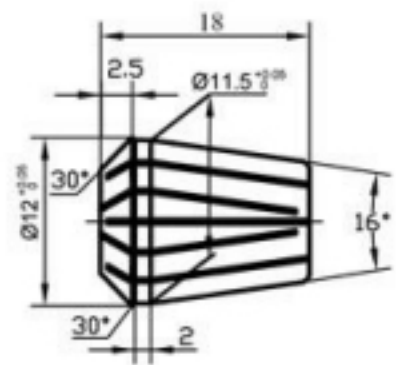
ER collets standard DIN6499B



ER11-ER50



ER8



ER12

Model No.	d	D	D1	D2	L	L1	L2	L3	Collapsible
ER8	1.0-5.0	8	8.45	6.5	13.5	2.98	1.5	1.2	0.5
ER11	1.0-7.0	11	11.5	9.5	18	3.8	2.5	2	0.5
ER16	1.0-2.5	16	17	13.8	27.5	6.26	4	2.7	0.5
	3.0-10.0	16	17	13.8	27.5	6.26	4	2.7	1
ER20	1.0-2.5	20	21	17.4	31.5	6.36	4.8	2.8	0.5
	3.0-13.0	20	21	17.4	31.5	6.36	4.8	2.8	1
ER25	1.0-2.5	25	26	22	34	6.66	5	3.1	0.5
	3.0-16.0	25	26	22	34	6.66	5	3.1	1
ER32	2.0-2.5	32	33	29.2	40	7.16	5.5	3.6	0.5
	3.0-20.0	32	33	29.2	40	7.16	5.5	3.6	1
ER40	3.0-26.0	40	41	36.2	46	7.66	7	4.1	1